

R30B SERIES

High Purity Low Flow Regulator

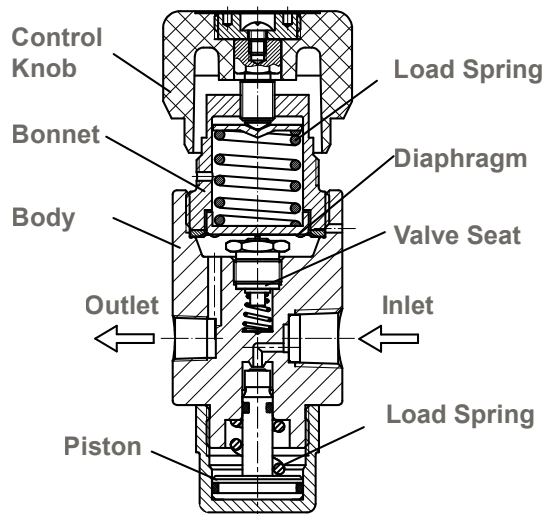
Specialty Gas Equipment



» R30BQT-DIP-C540-10-R

Materials

- | | |
|------------------|----------------------|
| • Body | Nickel-Plated Brass |
| • Bonnet | Stainless Steel |
| • Seat | PTFE |
| • Diaphragm | 316L Stainless Steel |
| • Adjusting Knob | ABS Plastic |



GENTEC® R30B Series Dual Stage High Purity Diaphragm Regulator designed for applications where a consistent outlet pressure and flow are desired. The R30 series is designed for applications where size is a concern. The small footprint is ideal for gas chromatography, gas detection equipment, and emission monitoring systems.

Product Features

- Dual-Stage Configuration
- Metal-to-Metal Seal
- Inlet Port Size: 1/4" NPT(F)
- Outlet Port Size: 1/8" NPT(F)
- 1.5" Pressure Gauge

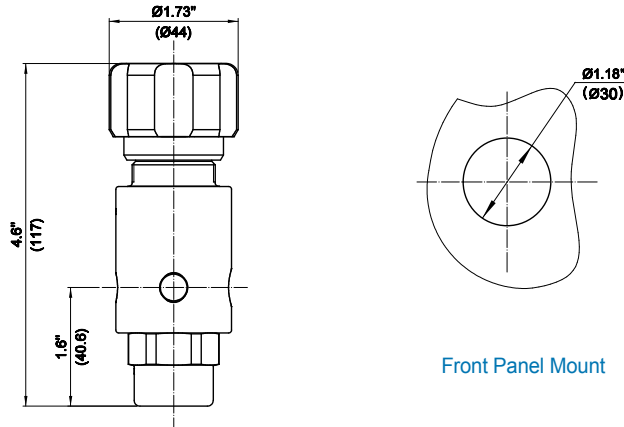
Applications

- Gas Chromatography
- Research Laboratories
- Process Analyzer
- Petrochemical Industry
- Pharmaceutical & Biotechnology
- Gas Detection Equipment
- Emission Monitoring Systems

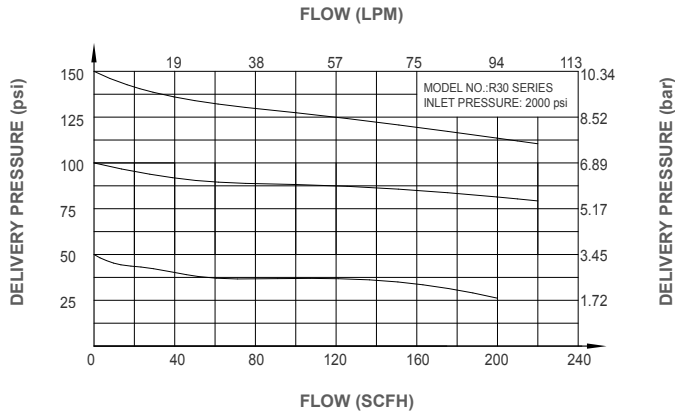
Specifications

- Maximum inlet pressure: 3000 psi (207 bar)
- Maximum outlet pressure: 150 psi (10.3 bar)
- Safety test pressure: 1.5 x Maximum inlet pressure
- Temperature range: -40 to 165°F (-40 to 74°C)
- Inboard leakage: 2×10^{-8} atm.cc/sec He
- Outboard leakage: 2×10^{-8} atm.cc/sec He
- Maximum Cv: 0.05
- Weight: 1.6 lb (1.73 kg)

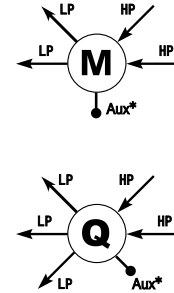
Dimensions



Flow Data



Body Ports



*: The "Aux." port is plugged, it can be used for testing only.

Ordering Information

EX: R30B	Q	T -	D	I	P -	00 -	20 -	R
Series	Body Ports	Seat	Inlet Pressure Range	Outlet Pressure Ranges	Gauge	Inlet Connections	Outlet Connections	Options
• R30B	M Q	T: PTFE	D: 3000 psi (206 bar)	H: 0-150 psi (10 bar) I: 0-100 psi (7 bar) K: 0-50 psi (3 bar) L: 0-25 psi (1.5 bar)	P: psi / bar K: psi / kPa W: No Gauge	00: 1/4" NPT(F) C180: CGA180 C170: CGA170 C165: CGA165 C330: CGA330 C350: CGA350 C580: CGA580 C660: CGA660 C590: CGA590 52: G5/8"-RH (F) 63: W21.8-14RH (F) 64: W21.8-14LH (F) Other connections available*	20: 1/8" NPT(F) 10: 1/8" GENLOK 11: 1/4" GENLOK 15: 6 mm GENLOK 16: 8 mm GENLOK 74: 1M8 x 1RH(M) Other connections available*	P: Panel Mount R: Relief Valve (For "Q" body configuration only)

*: Please see page 83 for more inlet connection options such as DIN, BSP, CGA, and JIS.

R31B SERIES

High Purity Low Flow Regulator

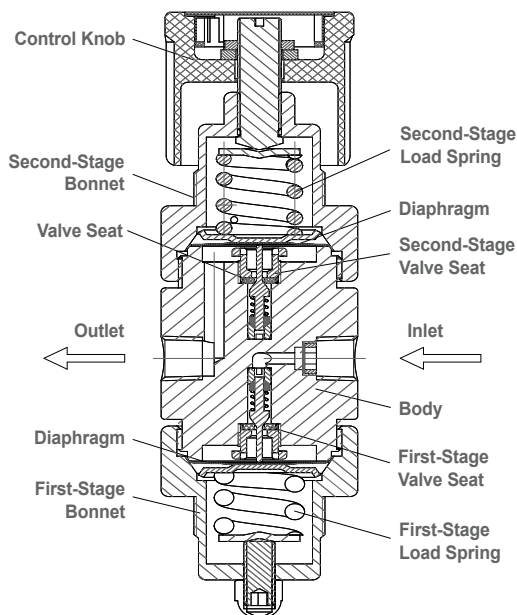
Specialty Gas Equipment



» R31BMK-DIK-C350-11-D

Materials

- | | |
|------------------|------------------------------|
| • Body | Nickel-Plated Brass Barstock |
| • Bonnet | Nickel-Plated Brass Barstock |
| • Seat | PCTFE |
| • Diaphragm | 316L |
| • Adjusting Knob | ABS Plastic |



GENTEC® R31B Series Brass Regulator is a diaphragm-sensed dual-stage high purity regulator designed for analytical applications where a consistent outlet pressure and flow are desired.

Product Features

- Dual-Stage Configuration
- Metal-to-Metal Seal
- Inlet & Outlet Port Size: 1/4" NPT(F)
- 2" Pressure Gauge

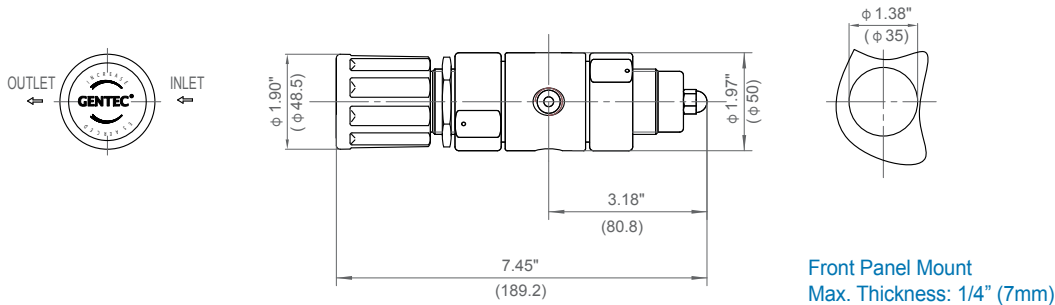
Applications

- Cylinders
- Research Laboratories
- Gas Chromatography
- Process Analyzers
- Petrochemical Industry
- Power Plant

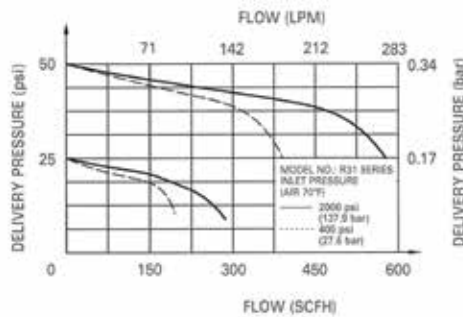
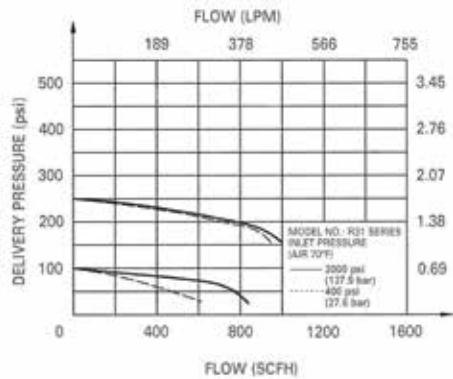
Specifications

- Maximum inlet pressure: 4500 psi (310 bar)
- Maximum outlet pressure: 250 psi (17 bar)
- Safety test pressure: 1.5 x Maximum inlet pressure
- Temperature range: -40 to 165°F (-40 to 74°C)
- Inboard leakage: 2×10^{-8} atm.cc/sec He
- Outboard leakage: 2×10^{-8} atm.cc/sec He
- Maximum Cv: 0.06
- Weight: 4.03 lb (1.5 kg)

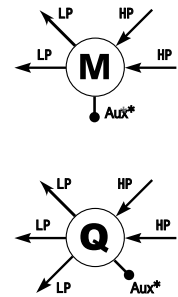
Dimensions



Flow Data



Body Ports



- * For R31 Series, the "Aux." port is plugged. This port can be used for purging purpose only.
- * For the "Aux." port of R31 Series, this port is plugged and cannot be used for relief valve installation.

Ordering Information

EX:R31B	M	K -	D	Q	K -	C350 -	11 -	D
Series	Body Ports	Seat	Inlet Pressure Range	Outlet Pressure Ranges	Gauge	Inlet Connections	Outlet Connections	Options
• R31B	M Q	K: PCTFE	C: 4500 psi (310 bar) D: 3000 psi (206 bar)	G: 0-250 psi (17 bar) I: 0-100 psi (7 bar) K: 0-50 psi (3 bar) L: 0-25 psi (2 bar) Q: 30" Hg Vac-30 psi (2 bar) S: 30" Hg Vac-100 psi (7 bar) T: 30" Hg Vac-200 psi (14 bar)	P: psi / bar K: psi / kPa W: No Gauge	00: 1/4" NPT(F) C346: CGA346 C320: CGA320 C350: CGA350 C510: CGA510 C540: CGA540 C580: CGA580 C590: CGA590 C326: CGA326 DN05: DIN477 No.5 BS02: BS341 No.2 Other connections available*	00: 1/4" NPT(F) 01: 1/4" NPT(M) 10: 1/8" GENLOK 11: 1/4" GENLOK 12: 3/8" GENLOK 15: 6 mm GENLOK 16: 8 mm GENLOK 14B: 1/4" Hose Barb Other connections available*	Blank: None D: Diaphragm Valve N: Needle Valve P: Panel Mount R: Relief Valve

*: Please see page 83 for more inlet connection options such as DIN, BSP, CGA, and JIS.